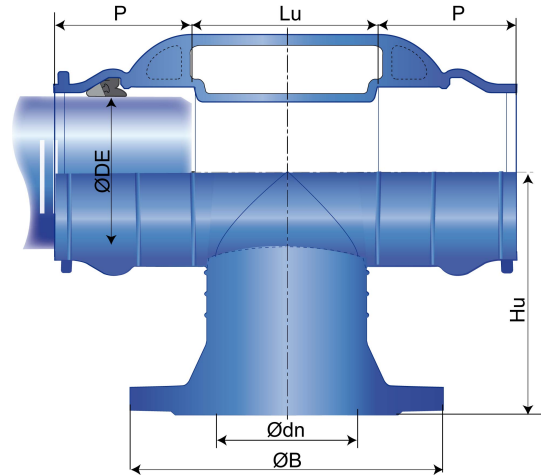


BLUTOP Double Socket Tee with Flanged branch



| DN/OD | Ø DE | Ø dn | P | Lu | Hu | Ø B PN10-16 | Ø B PN25 | Mass PN10-16 | Mass PN25 | References PN10-16 | Refer- ences PN25 |
|-------|---------|------|-------|-------|-------|----------------|----------|-----------------|-----------|-----------------------|----------------------|
| mm | mm | mm | mm | mm | mm | mm | mm | kg | kg | | |
| 75 | 75X40 | 40 | 87,0 | 60,0 | 130,0 | 150,0 | 150,0 | 5,80 | 5,80 | KXL75TD1A | KXL75TD1A |
| 75 | 75X60 | 60 | 87,0 | 85,0 | 140,0 | 175,0 | 175,0 | 7,80 | 7,10 | KXL75TD1C | KXL75TD3C |
| 75 | 75X65 | 65 | 87,0 | 85,0 | 140,0 | 185,0 | 185,0 | 8,20 | 7,50 | KXL75TD1D | KXL75TD3D |
| 90 | 90X40 | 40 | 92,5 | 65,0 | 135,0 | 150,0 | 150,0 | 6,80 | 6,80 | KXL90TD1A | KXL90TD1A |
| 90 | 90X60 | 60 | 92,5 | 90,0 | 155,0 | 175,0 | 175,0 | 8,60 | 8,40 | KXL90TD1C | KXL90TD3C |
| 90 | 90X65 | 65 | 92,5 | 90,0 | 160,0 | 185,0 | 185,0 | 8,70 | 8,70 | KXL90TD1D | KXL90TD3D |
| 90 | 90X80 | 80 | 92,5 | 105,0 | 160,0 | 200,0 | 200,0 | 9,40 | 9,40 | KXL90TD1E | KXL90TD1E |
| 110 | 110X40 | 40 | 99,0 | 65,0 | 145,0 | 150,0 | 150,0 | 7,60 | 7,60 | KXM11TD1A | KXM11TD1A |
| 110 | 110X60 | 60 | 99,0 | 90,0 | 165,0 | 175,0 | 175,0 | 9,40 | 9,50 | KXM11TD1C | KXM11TD3C |
| 110 | 110X65 | 65 | 99,0 | 90,0 | 160,0 | 185,0 | 185,0 | 9,50 | 9,80 | KXM11TD1D | KXM11TD3D |
| 110 | 110X80 | 80 | 99,0 | 105,0 | 170,0 | 200,0 | 200,0 | 11,00 | 11,00 | KXM11TD1E | KXM11TD1E |
| 110 | 110X100 | 100 | 99,0 | 125,0 | 170,0 | 220,0 | 235,0 | 12,20 | 12,40 | KXM11TD1F | KXM11TD3F |
| 125 | 125X40 | 40 | 104,0 | 65,0 | 160,0 | 150,0 | 150,0 | 9,20 | 9,20 | KXM12TD1A | KXM12TD1A |
| 125 | 125X60 | 60 | 104,0 | 90,0 | 160,0 | 175,0 | 175,0 | 10,80 | 10,80 | KXM12TD1C | KXM12TD3C |
| 125 | 125X65 | 65 | 104,0 | 90,0 | 160,0 | 185,0 | 185,0 | 11,10 | 11,30 | KXM12TD1D | KXM12TD3D |
| 125 | 125X80 | 80 | 104,0 | 105,0 | 170,0 | 200,0 | 200,0 | 11,50 | 11,50 | KXM12TD1E | KXM12TD1E |
| 125 | 125X100 | 100 | 104,0 | 125,0 | 180,0 | 220,0 | 235,0 | 12,20 | 13,70 | KXM12TD1F | KXM12TD3F |
| 125 | 125X125 | 125 | 104,0 | 150,0 | 180,0 | 250,0 | 270,0 | 15,00 | 16,80 | KXM12TD1G | KXM12TD3G |
| 140 | 140X40 | 40 | 108,0 | 65,0 | 160,0 | 150,0 | 150,0 | 9,34 | 9,34 | KXM14TD1A | KXM14TD1A |
| 140 | 140X60 | 60 | 108,0 | 90,0 | 180,0 | 175,0 | 175,0 | 11,04 | 11,04 | KXM14TD1C | KXM14TD3C |
| 140 | 140X65 | 65 | 108,0 | 90,0 | 180,0 | 185,0 | 185,0 | 11,20 | 11,20 | KXM14TD1D | KXM14TD3D |
| 140 | 140X80 | 80 | 108,0 | 105,0 | 185,0 | 200,0 | 200,0 | 12,35 | 12,35 | KXM14TD1E | KXM14TD1E |
| 140 | 140X100 | 100 | 108,0 | 125,0 | 195,0 | 220,0 | 235,0 | 14,03 | 14,03 | KXM14TD1F | KXM14TD3F |
| 140 | 140X125 | 125 | 108,0 | 150,0 | 200,0 | 250,0 | 270,0 | 16,28 | 16,28 | KXM14TD1G | KXM14TD3G |
| 160 | 160X40 | 40 | 114,0 | 65,0 | 170,0 | 150,0 | 150,0 | 11,30 | 11,30 | KXM16TD1A | KXM16TD1A |

| DN/OD | Ø DE | Ø dn | P | Lu | Hu | Ø B PN10-16 | Ø B PN25 | Mass PN10-16 | Mass PN25 | References PN10-16 | Refer- ences PN25 |
|-----------|-----------|-----------|-----------|-----------|-----------|----------------|-----------|-----------------|-----------|-----------------------|----------------------|
| <i>mm</i> | <i>mm</i> | <i>mm</i> | <i>mm</i> | <i>mm</i> | <i>mm</i> | <i>mm</i> | <i>mm</i> | <i>kg</i> | <i>kg</i> | | |
| 160 | 160X60 | 60 | 114,0 | 90,0 | 190,0 | 175,0 | 175,0 | 12,90 | 12,90 | KXM16TD1C | KXM16TD3C |
| 160 | 160X65 | 65 | 114,0 | 90,0 | 190,0 | 185,0 | 185,0 | 12,90 | 13,30 | KXM16TD1D | KXM16TD3D |
| 160 | 160X80 | 80 | 114,0 | 105,0 | 200,0 | 200,0 | 200,0 | 14,30 | 14,30 | KXM16TD1E | KXM16TD1E |
| 160 | 160X100 | 100 | 114,0 | 125,0 | 205,0 | 220,0 | 235,0 | 16,40 | 17,00 | KXM16TD1F | KXM16TD3F |
| 160 | 160X125 | 125 | 114,0 | 150,0 | 210,0 | 250,0 | 270,0 | 18,00 | 19,00 | KXM16TD1G | KXM16TD3G |
| 160 | 160X150 | 150 | 114,0 | 175,0 | 220,0 | 285,0 | 300,0 | 20,30 | 21,60 | KXM16TD1J | KXM16TD3J |

Field of use:

- For drinking water supply networks
- Manufactured to last more than 100 years
- Total compatibility with drinking water. All the constituent materials have "Attestation de Conformité Sanitaire" in France (ACS), WRAS and DWI agreements in UK, DVGW agreement in Germany

Main characteristics:

- Ductile iron fittings conform to EN 12842-2000, compatible with PVC tubes according to EN 1452-1999 and polyethylene tubes according to EN 12201-2003
- Ductile iron fittings conform to ISO 16631-2016
- Internal and external coating : blue epoxy powder (thickness 250 microns) according to EN 14901-2006
- "Avis technique CSTB", WRC agreement, PAS DVGW